

| | | | |
|----------------------------------|--------------------------------------|-----------------------------------|--------------------------------------|
| Name: 8IGHT-T 4.0 Standard Setup | | Date: _____ | Event: _____ |
| City: _____ | State: _____ | Track: _____ | |
| Track Conditions | | Wet/Dusty | |
| <input type="checkbox"/> Indoor | <input type="checkbox"/> Tight | <input type="checkbox"/> Smooth | <input type="checkbox"/> Hard Packed |
| <input type="checkbox"/> Outdoor | <input type="checkbox"/> Open | <input type="checkbox"/> Rough | <input type="checkbox"/> Loose/Loamy |
| <input type="checkbox"/> Dry | <input type="checkbox"/> Blue Groove | <input type="checkbox"/> Wet | <input type="checkbox"/> Low Bite |
| | <input type="checkbox"/> High Bite | <input type="checkbox"/> Med Bite | <input type="checkbox"/> Other _____ |

Front Suspension

Toe: 1° Toe Out _____

Ride Height: 38mm _____

Camber: -2° _____

Caster: 27° _____

Spindle Height: High Low

Wheel Hex: Standard Hex _____

Sway Bar: 2.3mm _____

Piston/Oil: 8 Hole 1.3mm/37.5 wt _____

Shock Type: Bladder Emulsion

Spring: Red 5.6 lbs. _____

Limiters/Droop: 115mm _____

Overall Shock Length: _____

Steering Ackerman: Short _____

Bump Steer: Up _____

Camber Link: 2 _____

Shock Location: 3/Inside _____

Receiver Battery Type: _____

Differentials

Front: Standard Smart

Spring Wire Dia. _____

Qty of Springs: _____

Ramp Plate: _____

Grease: _____

Diff Fluid: 7000 wt _____

Center: Standard Smart

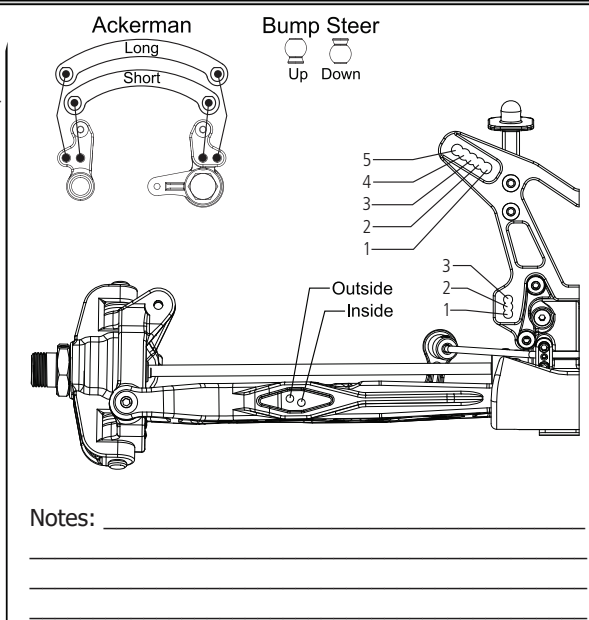
Spring Wire Dia.: _____

Qty of Springs: _____

Ramp Plate: _____

Grease: _____

Diff Fluid: 10000 wt _____



Rear Suspension

Roll Center: HRC LRC

Toe: 3° _____

Anti-Squat: 3° _____

Ride Height: 40mm _____

Camber: -2° _____

Rear Hub Spacing: Back _____

Wheel Hex: Standard Hex _____

Sway Bar: 2.5mm _____

Piston/Oil: 8 Hole Split 1.2mm & 1.3mm/32.5wt _____

Shock Type: Bladder Emulsion

Spring: White 5.6 lbs _____

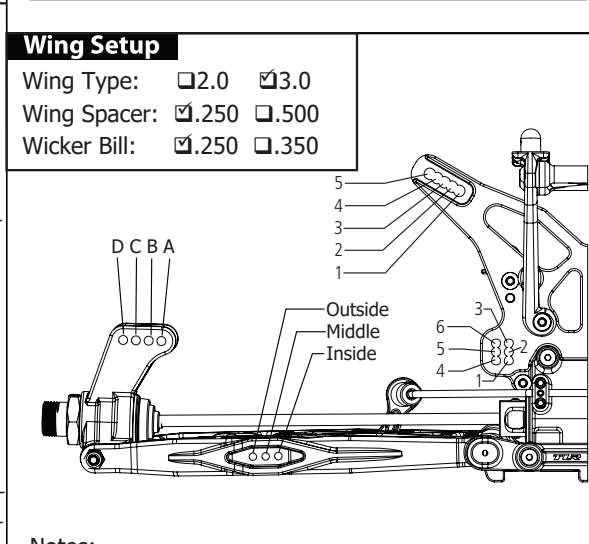
Limiters/Droop: 128mm _____

Overall Shock Length: _____

Camber Link: 2/B _____

Shock Position: 3/Middle _____

Rear Diff Fluid: 7000 wt _____



Engine

Engine: _____ Fuel: _____

Glow Plug: _____ Head Clearance: _____

Pipe/Header: _____ Gearing: _____

Clutch

Clutch Shoes and Springs Info

(2) Aluminum Shoes with Gold Springs _____

(2) Composite Shoes with Green Springs _____

Tires

| Type | Compound | Insert |
|--------------|----------|--------|
| Front: _____ | _____ | _____ |
| Rear: _____ | _____ | _____ |
| Notes: _____ | | |